

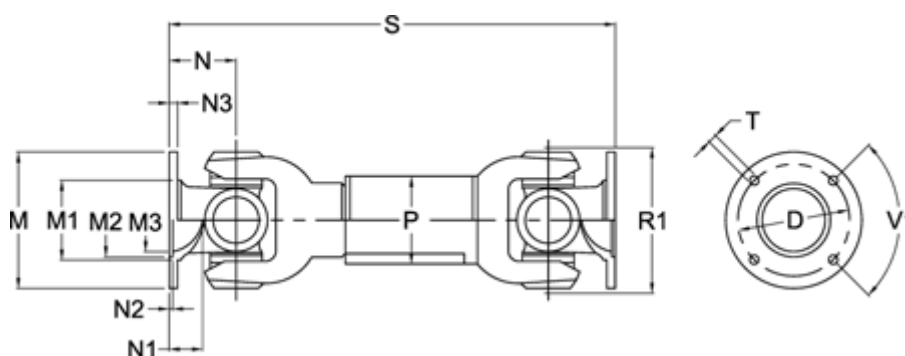
# Data Sheet



Article number: 071481310400080

Description: Cardan drive shaft 0.148.131.002  
S=400 X=80 Bore with keyway

## Measures



D	= 155,5 +-0,1	N1	= 32	T	= 12 B
Extension X	= 80	N2	= 3,6 +0,5	V1 degrees	= 45
Flange diameter M	= 180	N3	= 10		
M1	= 126	Number og Flangeholes	= 8		
M2	= 110	P	= 80x4		
M3	= 76	R1	= 138		
Max. Bending Angle degrees	= 20	S min	= 400		
N	= 65	Spline dim. DIN 5480	= 55x2,5x20		